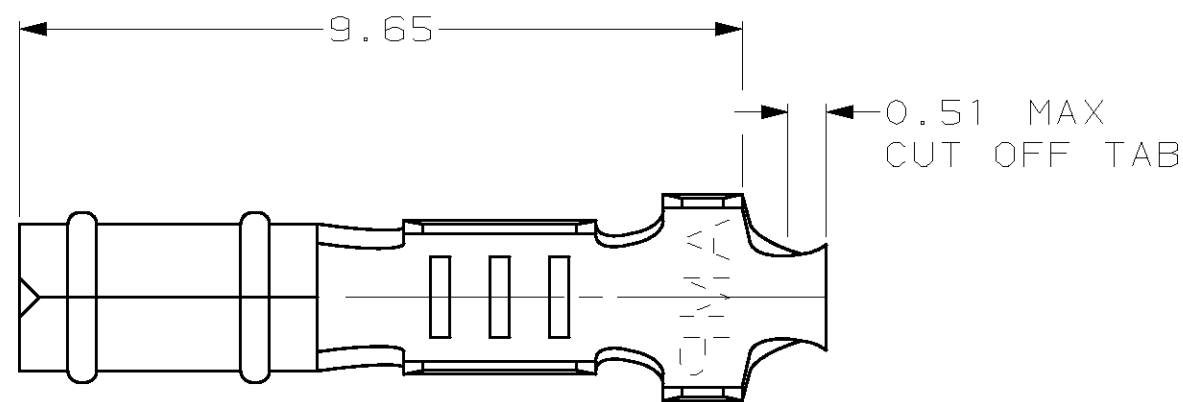


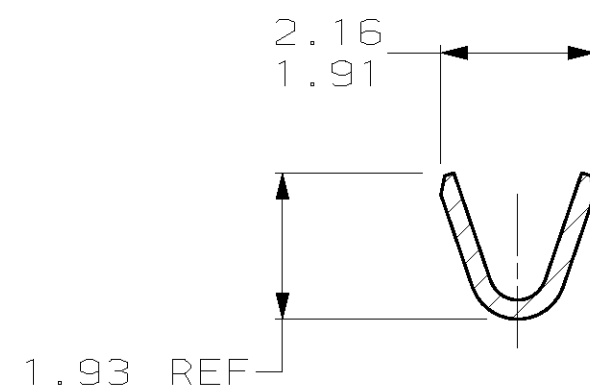
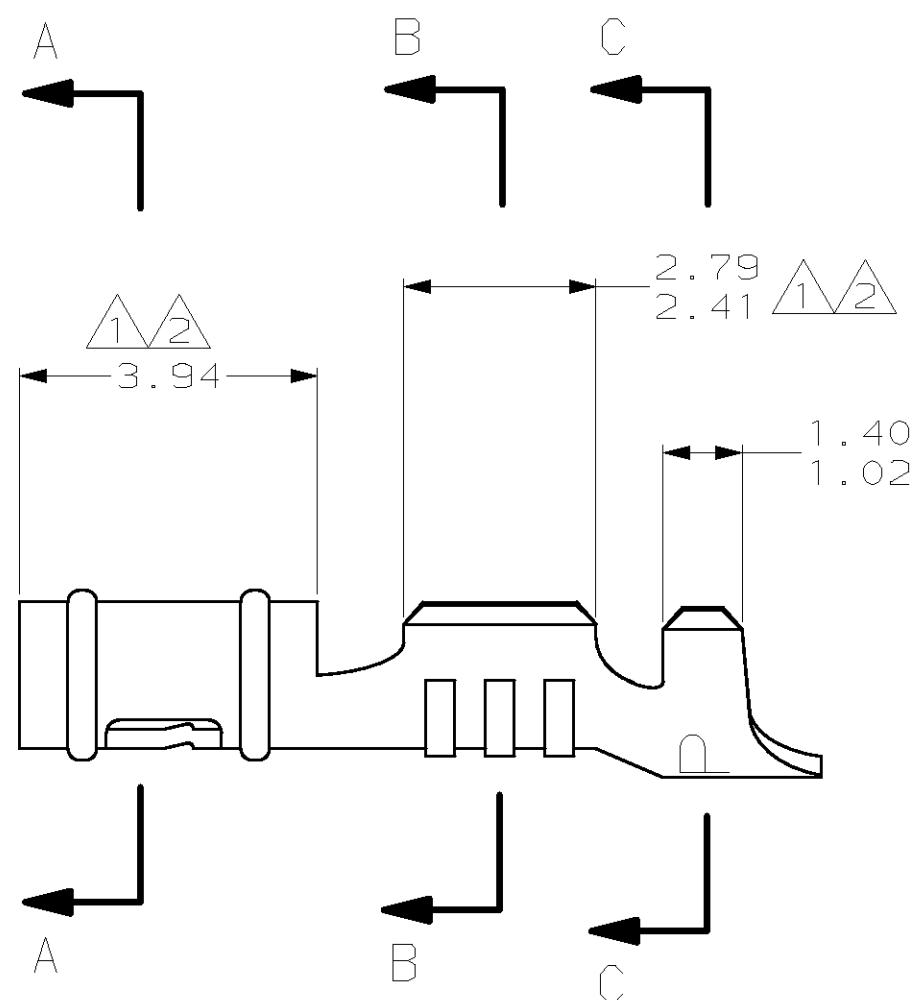
THIS DRAWING IS UNPUBLISHED. RELEASED FOR PUBLICATION
 (C) COPYRIGHT 19 BY AMP INCORPORATED. ALL RIGHTS RESERVED.

LOC		DIST		REVISIONS			
P	LTR	DESCRIPTION	DATE	DWN	APVD		
CM	52	AE	REV & REDWN PER EC 0L30-0125-97	6-10-97	TB	RS	

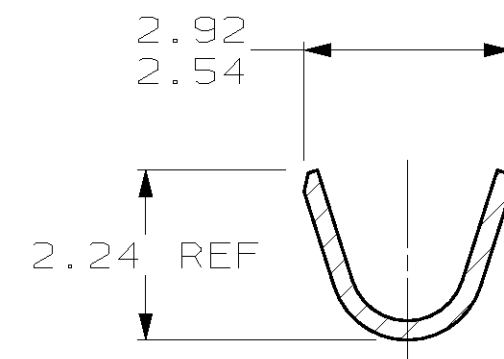
- 1. 0.00038 MIN SELECTIVE GOLD PLATING ON INSIDE OF RECEPTACLE AND WIRE BARREL OVER NICKEL OVER ALL UNDERPLATE.
- 2. 0.00076 MIN SELECTIVE GOLD PLATING ON INSIDE OF RECEPTACLE AND WIRE BARREL OVER NICKEL OVER ALL UNDERPLATE.
- 3. WIRE RANGE: 0.2 - 0.6 MM² (24 - 20 AWG)
- 4. INSULATION RANGE: 1.14 - 1.78



SECTION A-A



SECTION B-B



SECTION C-C

1	0.25 BE CU	60789-8
2	0.25 PH BRZ	60789-3
MATTE TIN	0.25 BE CU	60789-2
PRE-TIN	0.25 PH BRZ	60789-1
FINISH	MATERIAL	PART NUMBER

1.02	.040	1.78	.070	2.54	.100	-	-
0.51	.020	1.486	.0585	2.41	.095	-	-
0.25	.010	1.47	.058	2.24	.088	9.65	.380
0.13	.005	1.40	.055	2.16	.085	3.94	.155
0.00076	.000030	1.359	.0535	1.93	.076	2.92	.115
0.00038	.000015	1.14	.045	1.91	.075	2.79	.110
MM	IN	MM	IN	MM	IN	MM	IN

CONVERSION TABLE

METRIC

THIS DRAWING IS A CONTROLLED DOCUMENT.

DIMENSIONS:	TOLERANCES UNLESS OTHERWISE SPECIFIED:	DWN	T. BECK	6-11-97
mm		CHK	R. SWING	6-11-97
	0 PLC ±-	APVD	A. BEDDICK	6-17-97
	1 PLC ±-	PRODUCT SPEC	108-1025	
	2 PLC ±0.13	APPLICATION SPEC	114-1008	
	3 PLC ±-	WEIGHT	-	
	4 PLC ±-	CUSTOMER DRAWING		
MATERIAL	SEE TABLE	FINISH	SEE TABLE	

AMP AMP Incorporated
Harrisburg, PA 17105-3608

NAME: RECEPTACLE, .058 DIAMETER, 24-20 AWG, .045-.070 INSULATION, LOOSE PIECE, P.C. CONTACT

SIZE: A2 CAGE CODE: 00779 DRAWING NO: 60789 RESTRICTED TO: -

SCALE: 10:1 SHEET: 1 OF 1 REV: AF